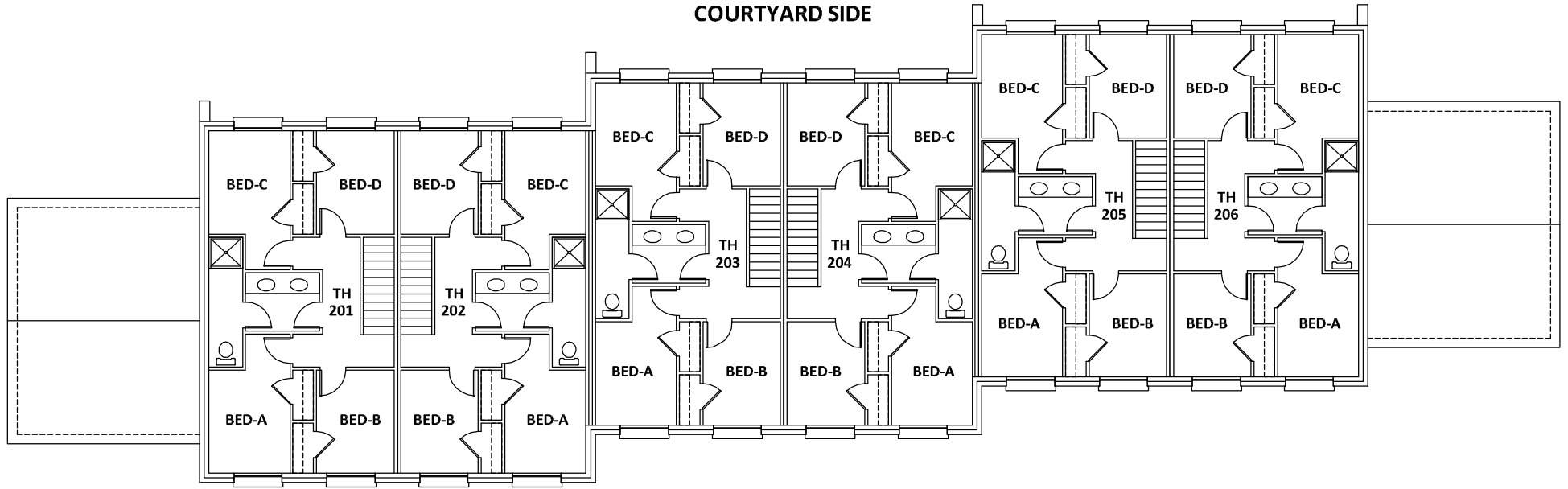


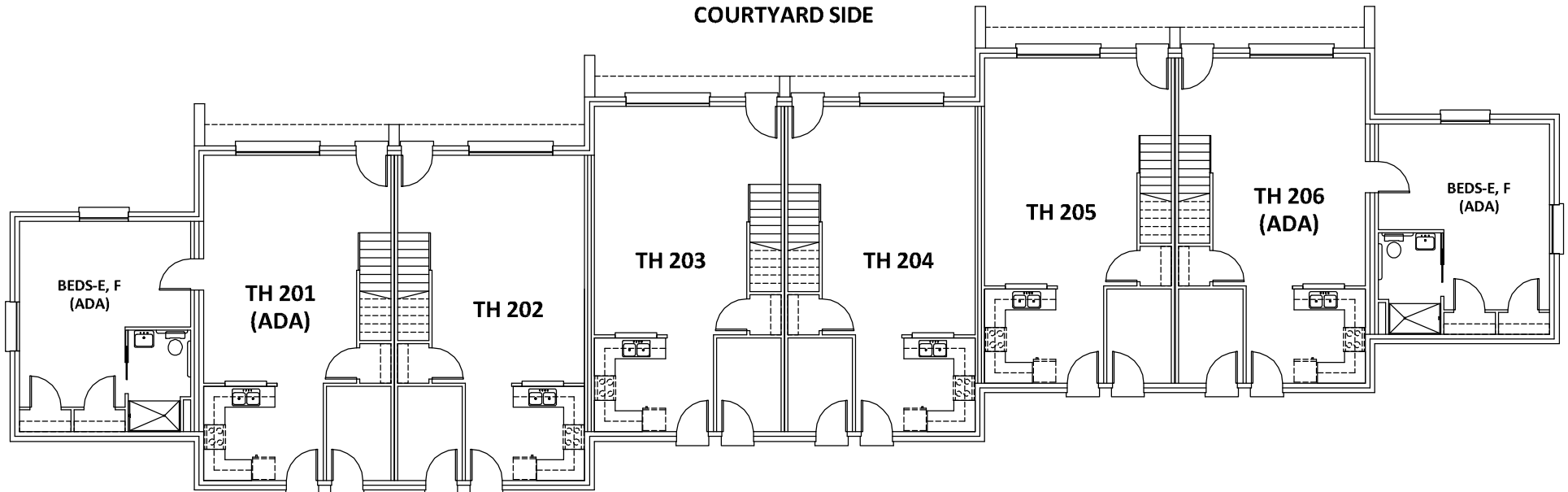
COURTYARD SIDE



SECOND FLOOR

TOWNHOUSE 201-206

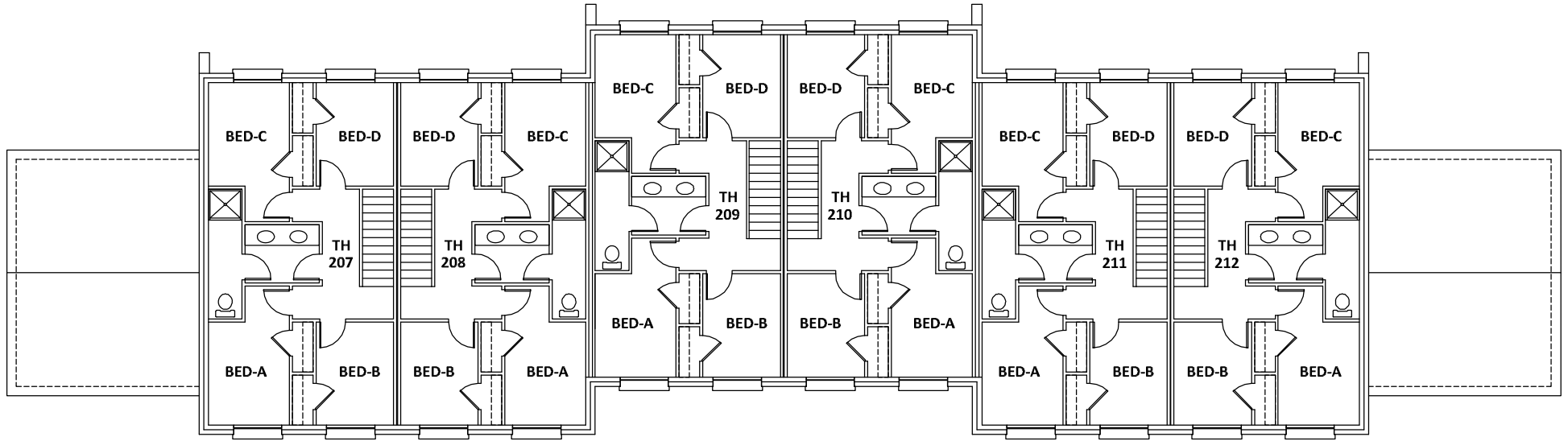
COURTYARD SIDE



FIRST FLOOR

Please Note: The gender and program assignment of Townhouses changes from year to year based on numbers, class gender breakdowns, numbers in room selection processes, etc. For example, though women live in a particular townhouse one year, men may live in the same townhouse the following year; though a townhouse may be selected during the Room Selection process one year, it may be used for an approved accommodation the following year.

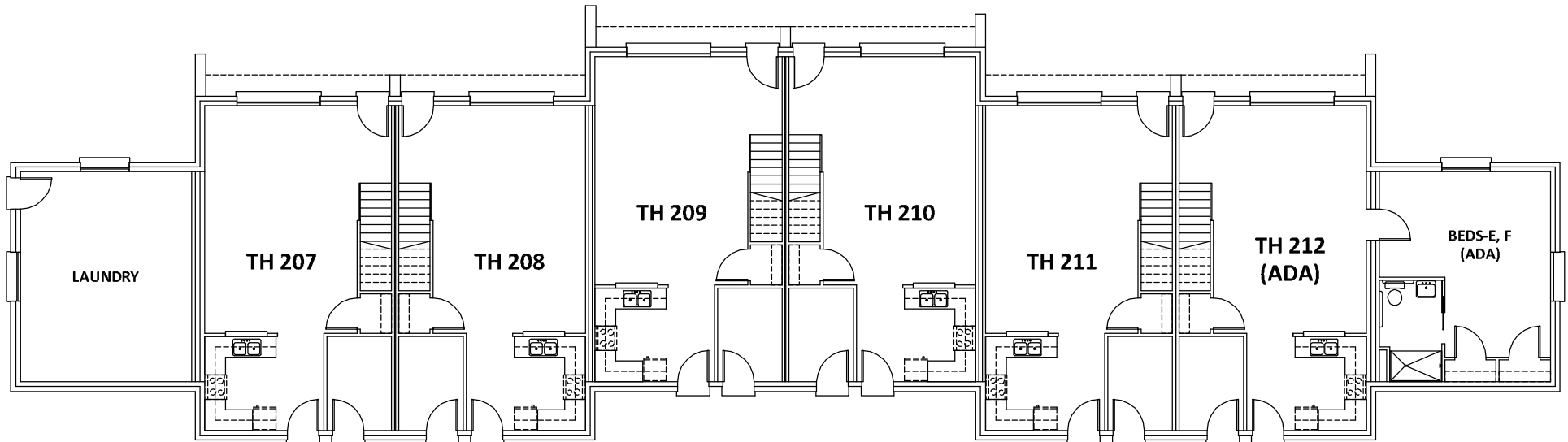
COURTYARD SIDE



SECOND FLOOR

TOWNHOUSE 207-212

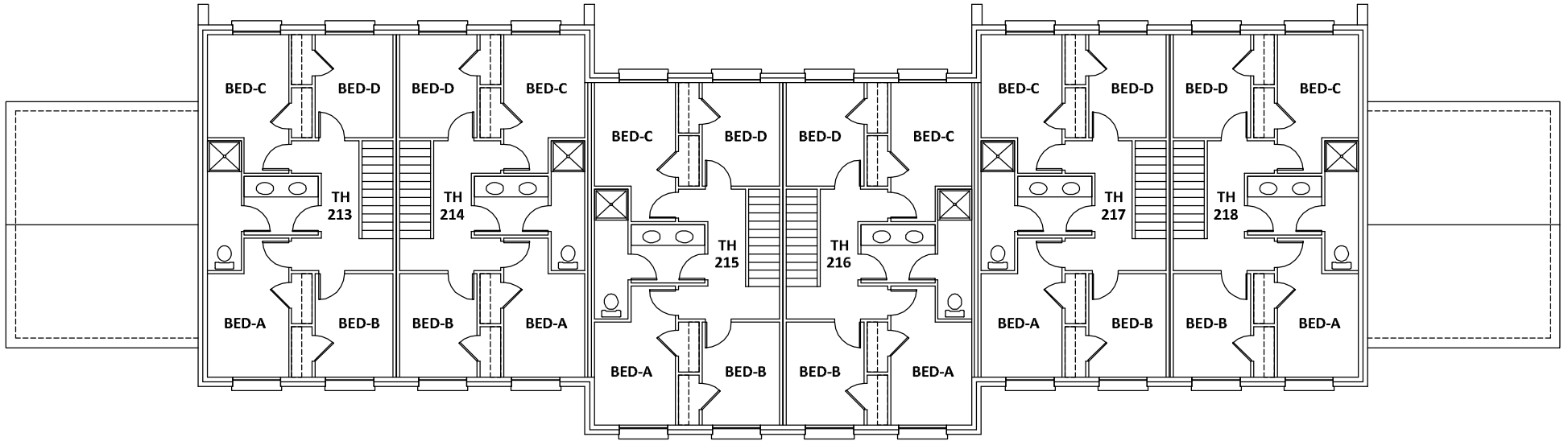
COURTYARD SIDE



Please Note: The gender and program assignment of Townhouses changes from year to year based on numbers, class gender breakdowns, numbers in room selection processes, etc. For example, though women live in a particular townhouse one year, men may live in the same townhouse the following year; though a townhouse may be selected during the Room Selection process one year, it may be used for an approved accommodation the following year.

FIRST FLOOR

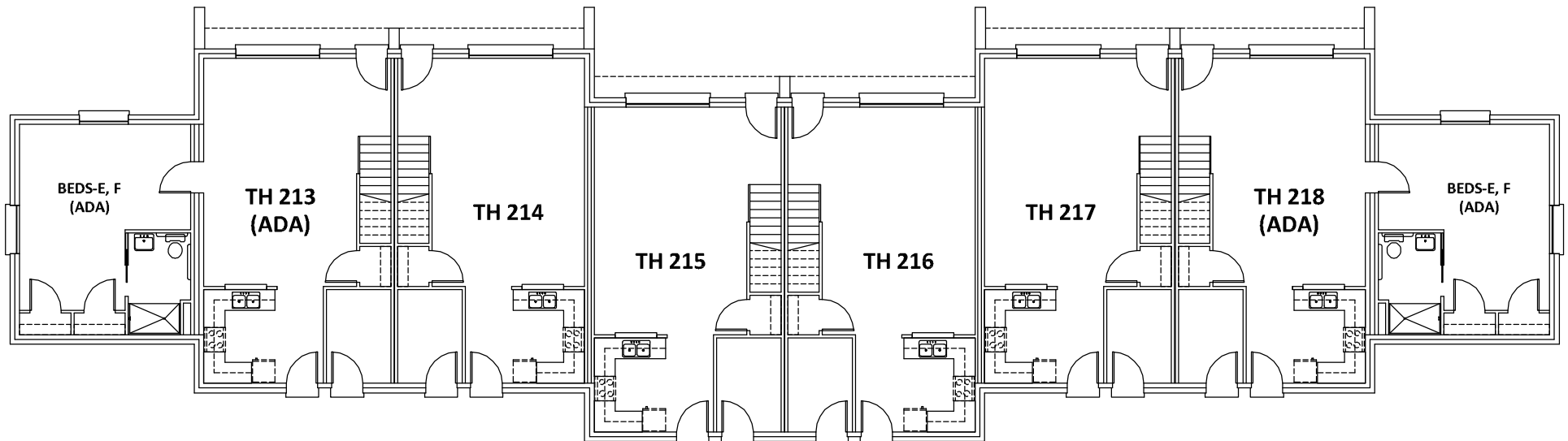
COURTYARD SIDE



SECOND FLOOR

TOWNHOUSE 213-218

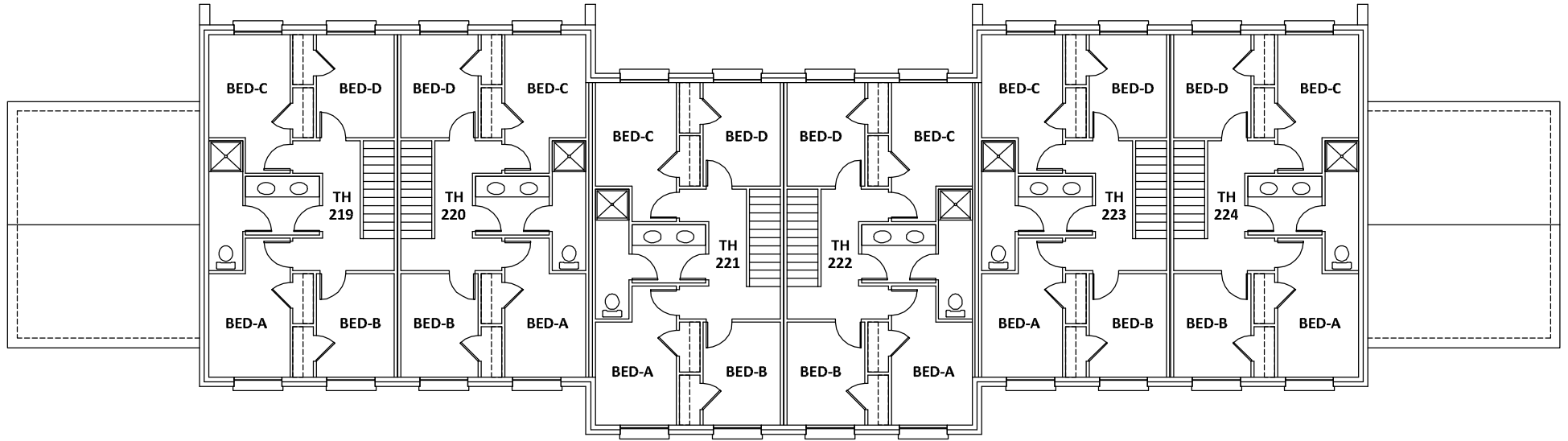
COURTYARD SIDE



FIRST FLOOR

Please Note: The gender and program assignment of Townhouses changes from year to year based on numbers, class gender breakdowns, numbers in room selection processes, etc. For example, though women live in a particular townhouse one year, men may live in the same townhouse the following year; though a townhouse may be selected during the Room Selection process one year, it may be used for an approved accommodation the following year.

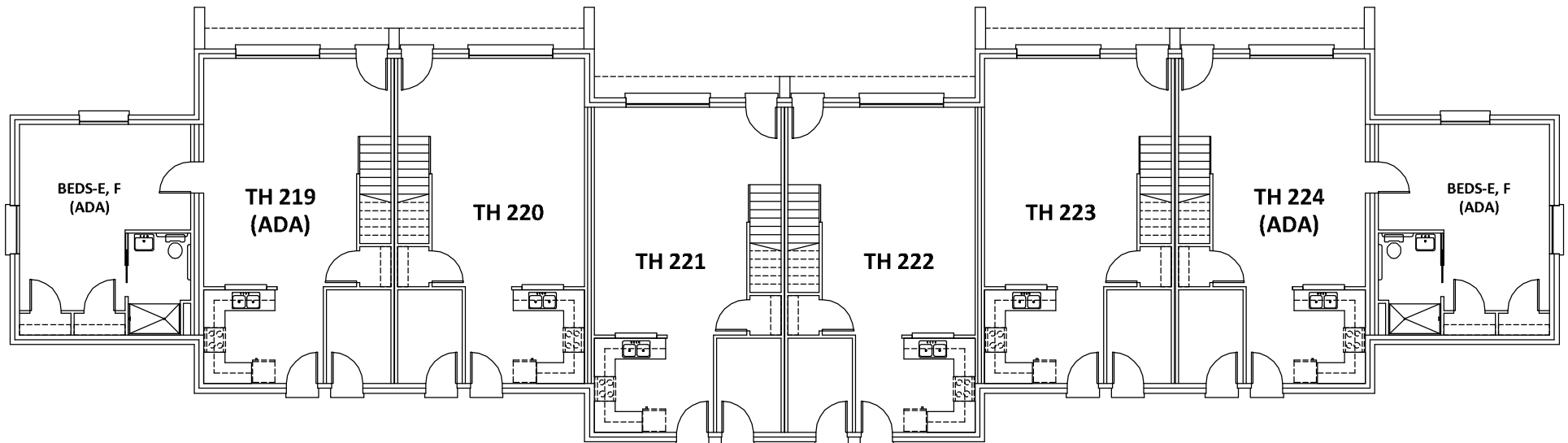
COURTYARD SIDE



SECOND FLOOR

TOWNHOUSE 219-224

COURTYARD SIDE



FIRST FLOOR

Please Note: The gender and program assignment of Townhouses changes from year to year based on numbers, class gender breakdowns, numbers in room selection processes, etc. For example, though women live in a particular townhouse one year, men may live in the same townhouse the following year; though a townhouse may be selected during the Room Selection process one year, it may be used for an approved accommodation the following year.